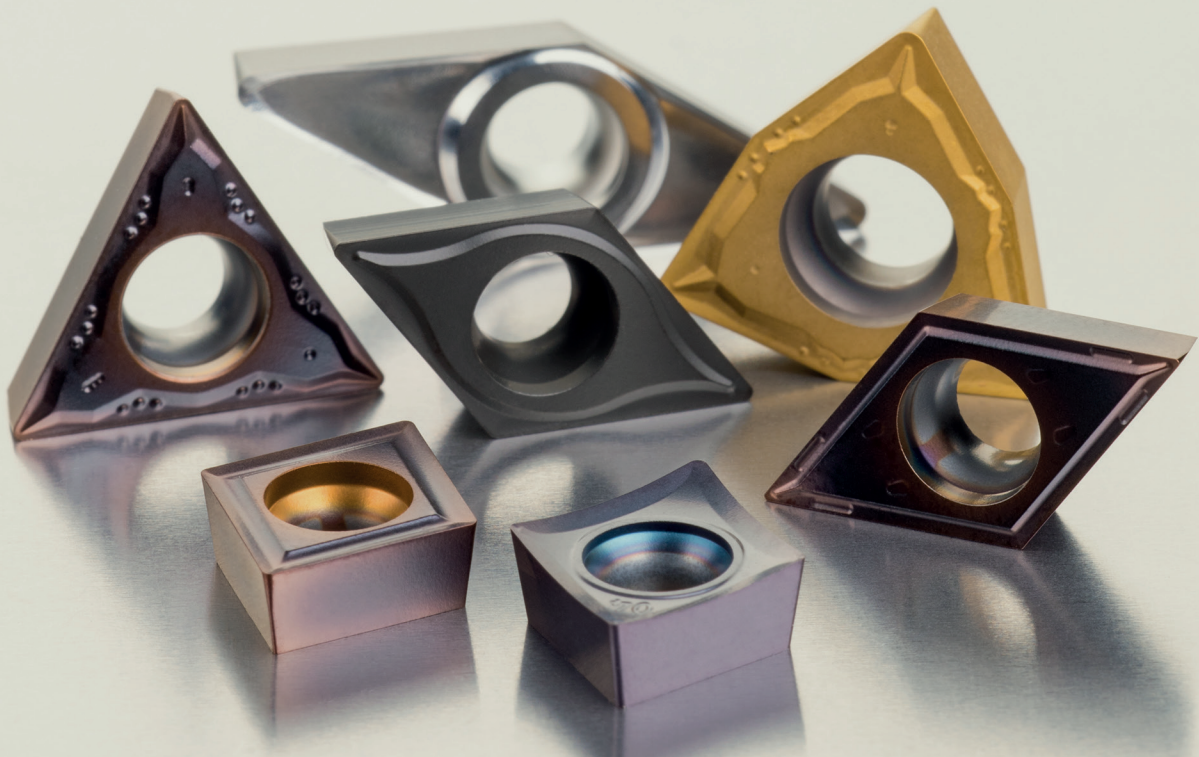




Versatility and value combined

Discount on all ISO
inserts



Special Discount

For a limited time

Contact your local sales team member
to receive discount.

**Certainty
at every turn™**

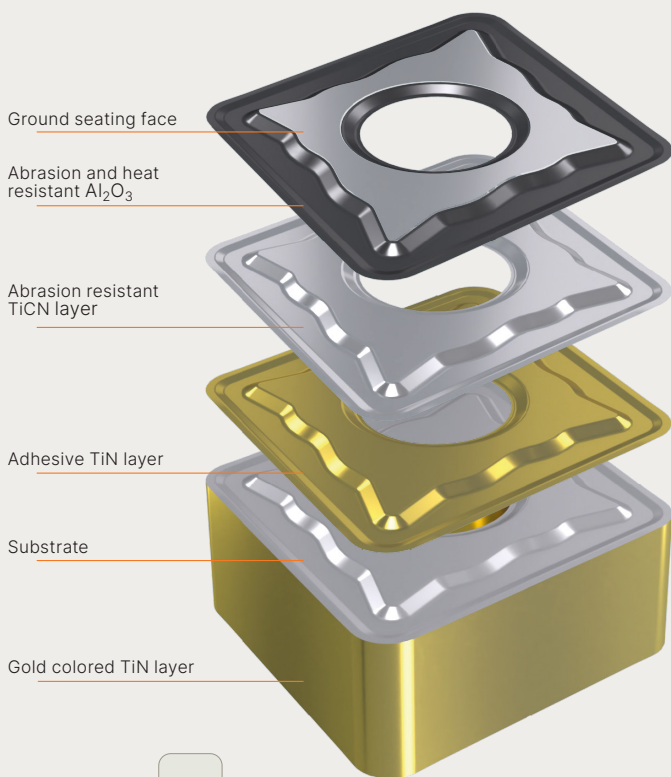


ClineTool.com 866.561.3022

ISO insert discount

Offer good on all ISO inserts, geometries and chipbreakers. Including the T9415, T8415 and T5415 grades

T5415 grade



T5415		
P	10-25	☑
M		
K	10-25	■
N		
S		
H	15-25	☑

CVD

T9415 grade

Ground seating area

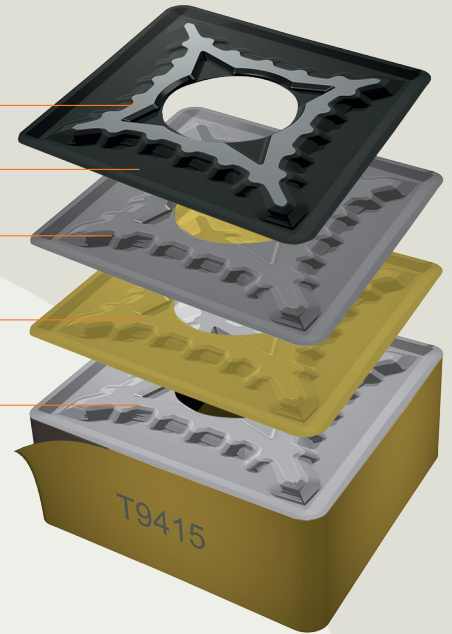
Abrasion and heat resistant $\alpha-Al_2O_3$

Abrasion resistant TiCN layer

Adhesive TiN layer

Substrate

Coloring TiN layer



T9415		
P	05-30	■
M		
K	05-25	☑
N		
S		
H	10-20	☑

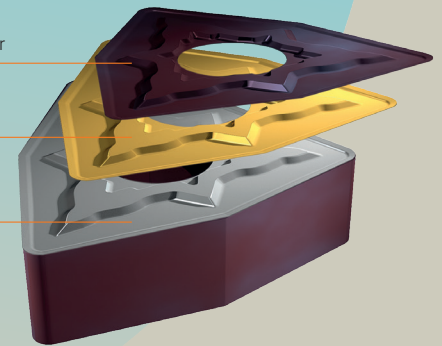
CVD

T8415 grade

Unique TiBN sliding layer

Thick TiN layer

Hard AlTiN layer



T8415		
P	05-20	■
M	05-20	■
K	05-25	■
N	05-25	☑
S	05-15	■
H	05-15	■

PVD

Take advantage of this offer. Use **Promo Code: TURN 2025** when ordering. Offer is not valid on purchases made by Eshop or EDI.

