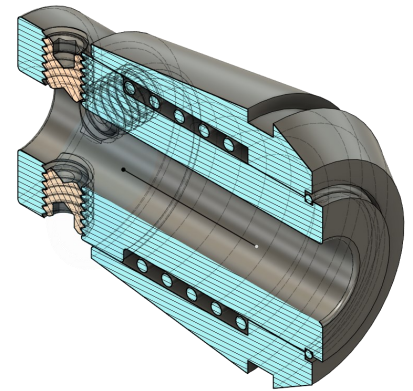


ER Tension Tap Collets

- Designed for limited “Z” axis tapping applications & Live tooling applications
- Screws lock onto the flats of the tap
 - (2) Screws on TER16 & TER20
 - (4) Screws on TER25 & TER32
- Designed to fit all DIN 6499 Eccentric Style ER Nuts
 - (Will not function in Compression Style Nuts)



	Part Number	Shank	Square	Tension Stroke	Tap Enters
ER16	TER16U-141-T	0.141	0.110	0.24	1.14
	TER16U-168-T	0.168	0.131	0.24	1.20
	TER16U-194-T	0.194	0.152	0.24	1.20
	TER16U-220-T	0.220	0.165	0.24	1.23
ER20	TER20U-141-T	0.141	0.110	0.25	1.19
	TER20U-168-T	0.168	0.131	0.25	1.25
	TER20U-194-T	0.194	0.152	0.25	1.25
	TER20U-220-T	0.220	0.165	0.25	1.28
	TER20U-255-T	0.255	0.191	0.25	1.31
ER25	TER25U-141-T	0.141	0.110	0.29	1.25
	TER25U-168-T	0.168	0.131	0.29	1.32
	TER25U-194-T	0.194	0.152	0.29	1.32
	TER25U-220-T	0.220	0.165	0.29	1.35
	TER25U-255-T	0.255	0.191	0.29	1.38
	TER25U-318-T	0.318	0.238	0.29	1.44
	TER25U-323-T	0.323	0.242	0.29	1.47
	TER25U-367-T	0.367	0.275	0.29	1.50
ER32	TER32U-141-T	0.141	0.110	0.37	1.56
	TER32U-168-T	0.168	0.131	0.37	1.62
	TER32U-194-T	0.194	0.152	0.37	1.62
	TER32U-220-T	0.220	0.165	0.37	1.65
	TER32U-255-T	0.255	0.191	0.37	1.68
	TER32U-318-T	0.318	0.238	0.37	1.75
	TER32U-323-T	0.323	0.242	0.37	1.78
	TER32U-367-T	0.367	0.275	0.37	1.81
	TER32U-381-T	0.381	0.286	0.37	1.81
	TER32U-437-T	0.437	0.328	0.37	1.81
	TER32U-480-T	0.480	0.360	0.37	1.93



SETS
TER16U TENSION SET4
TER20U TENSION SET5
TER25U TENSION SET9
TER32U TENSION SET11



Pioneer North America

